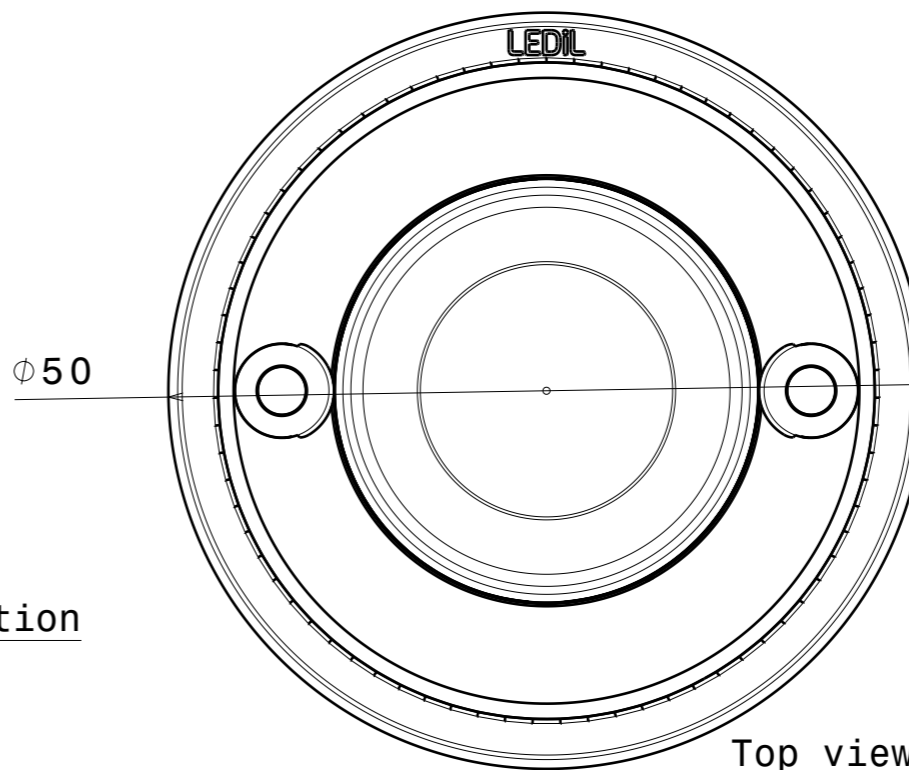
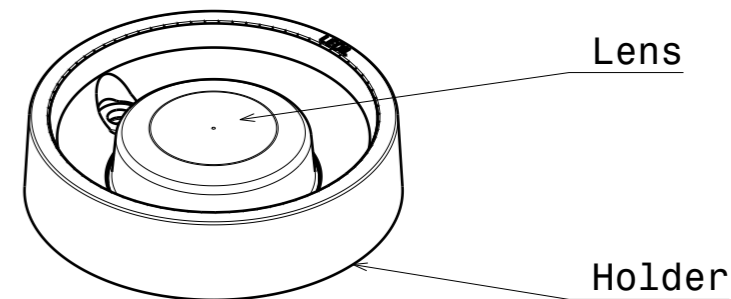


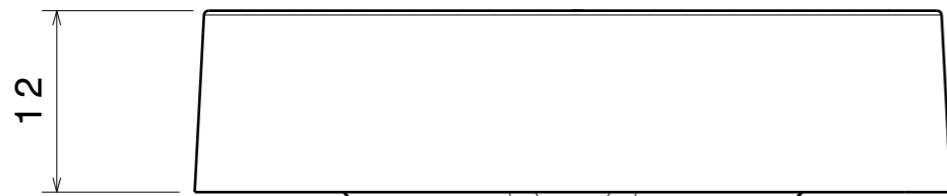
Bottom view  
Scale: 2:1



Top view  
Scale: 2:1



Isometric view  
Scale: 1:1



Front view  
Scale: 2:1

CN13990\_SAGA-HB-IP-WHT

**COMPONENTS**

INDEX	PART	MATERIAL	COLOR / COATING
1	C13591_SAGA-FRAME-WHT	HRPC	white
2	C13586_SAGA-HB-IP	Optical silicone	clear

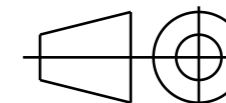
**MECHANICAL DRAWING**

PRODUCT  
**SAGA**

**LEDiL®**

Plastic moulding general tolerances according to DIN 16901-130 and applies if not otherwise shown in the drawing. Silicone moulding general tolerances according to ISO 3302-1 Class M3 and applies if not otherwise shown in the drawing.

FIRST ANGLE PROJECTION:



This drawing is the property of LEDiL Oy. It may not be copied or otherwise distributed without prior written permission from LEDiL Oy.

SCALE 2:1

WEIGHT 10 g

A3 SHEET 1/1

**Notes**

	PCB or heatsink level.
	LED location
	Ensure LED fitting from a product specific 3D model available from <a href="http://www.ledil.com">www.ledil.com</a>
	For more details about installation please see LEDiL Installation Guide on <a href="http://www.ledil.com">www.ledil.com</a>